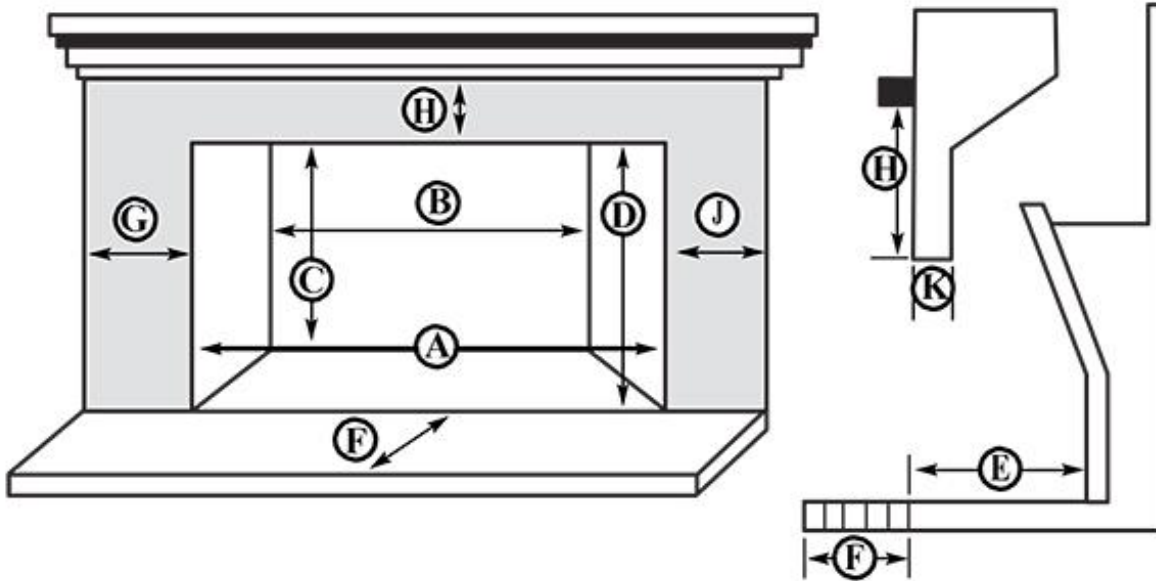


THE STOVE PLACE



A: OPENING WIDTH _____

B: REAR WIDTH _____

C: REAR HEIGHT _____

D: OPENING HEIGHT _____

E: DEPTH OF FIREPLACE AT BASE _____ AND AT 24" HIGH _____

F: DEPTH OF HEARTH _____

G: FIREPLACE TO MANTLE LEG _____

H: OPENING TO BOTTOM OF MANTLE _____

K: THICKNESS OF LINTEL _____

IS THERE A HEIGHT DIFFERENCE BETWEEN THE HEARTH AND FIREPLACE FLOOR +OR- _____